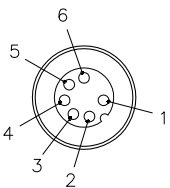
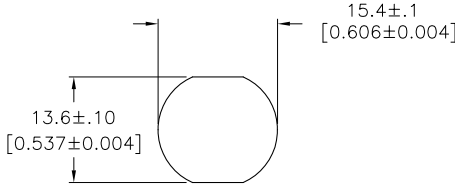
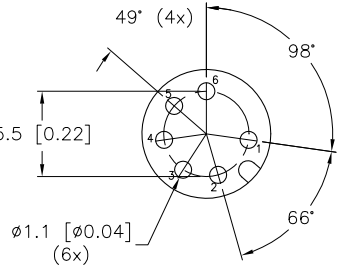
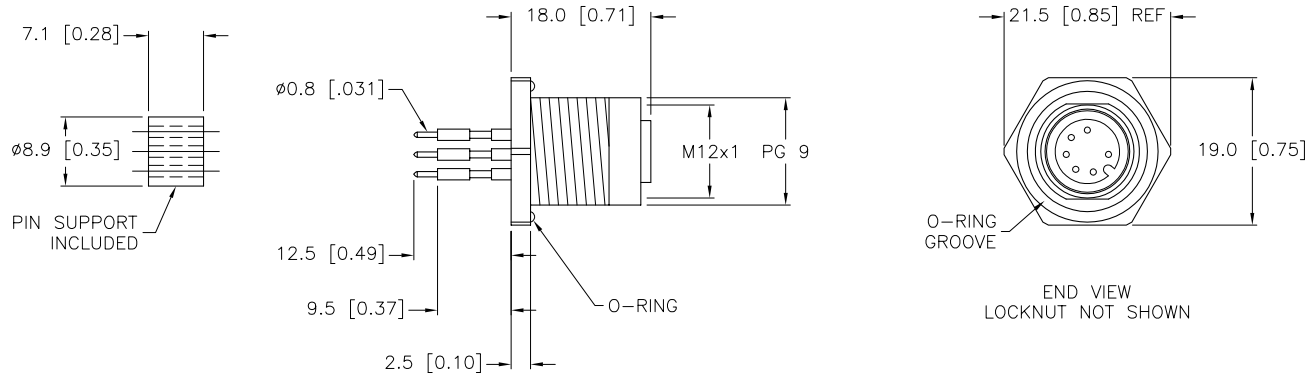
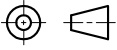


FEMALE END VIEW	TYPICAL PANEL CUTOUT	TYPICAL BOARD LAYOUT	SPECIFICATIONS																			
			<table border="1"> <tr> <td>CONTACT CARRIER MATERIAL/COLOR</td> <td>NYLON OR TPU/BLACK</td> </tr> <tr> <td>CONTACT MATERIAL/PLATING</td> <td>BRASS/GOLD</td> </tr> <tr> <td>HOUSING/LOCKNUT MATERIAL/PLATING</td> <td>BRASS/NICKEL</td> </tr> <tr> <td>O-RING MATERIAL</td> <td>BUNA-N</td> </tr> <tr> <td>RATED CURRENT [A]</td> <td>1.5 A</td> </tr> <tr> <td>RATED VOLTAGE [V]</td> <td>30 VAC/36 VDC</td> </tr> <tr> <td>NUMBER OF CONDUCTORS [AWG]</td> <td>PRINTED CIRCUIT PINS</td> </tr> <tr> <td>TEMPERATURE RATING</td> <td>-40°C to +105°C (-40°F to +221°F)</td> </tr> <tr> <td>PROTECTION CLASS</td> <td>MEETS NEMA 1,3,4,6P AND IEC IP68</td> </tr> </table>		CONTACT CARRIER MATERIAL/COLOR	NYLON OR TPU/BLACK	CONTACT MATERIAL/PLATING	BRASS/GOLD	HOUSING/LOCKNUT MATERIAL/PLATING	BRASS/NICKEL	O-RING MATERIAL	BUNA-N	RATED CURRENT [A]	1.5 A	RATED VOLTAGE [V]	30 VAC/36 VDC	NUMBER OF CONDUCTORS [AWG]	PRINTED CIRCUIT PINS	TEMPERATURE RATING	-40°C to +105°C (-40°F to +221°F)	PROTECTION CLASS	MEETS NEMA 1,3,4,6P AND IEC IP68
CONTACT CARRIER MATERIAL/COLOR	NYLON OR TPU/BLACK																					
CONTACT MATERIAL/PLATING	BRASS/GOLD																					
HOUSING/LOCKNUT MATERIAL/PLATING	BRASS/NICKEL																					
O-RING MATERIAL	BUNA-N																					
RATED CURRENT [A]	1.5 A																					
RATED VOLTAGE [V]	30 VAC/36 VDC																					
NUMBER OF CONDUCTORS [AWG]	PRINTED CIRCUIT PINS																					
TEMPERATURE RATING	-40°C to +105°C (-40°F to +221°F)																					
PROTECTION CLASS	MEETS NEMA 1,3,4,6P AND IEC IP68																					



SOURCE DRAWING - FOR REFERENCE ONLY

1. "/CS10085" DESIGNATES RECEPTACLE, BULK PACK PER ORDER RELEASE, NO LOCKNUT, NO FLAG LABEL, WITH BAG LABEL.

RELATED DOCUMENTS 1. 2. 3. 4.	3RD ANGLE PROJECTION 	THIS DRAWING IS PROPERTY OF TURCK INC. USE OF THIS DOCUMENT WITHOUT WRITTEN PERMISSION IS PROHIBITED.		<div style="text-align: right;"> TURCK INC <i>High Technology Sensors and Automation Controls</i> 3000 CAMPUS DRIVE MINNEAPOLIS, MN 55441 1-800-544-7769 (763) 553-7300 (763) 553-0708 fax turck.com </div>	
MATERIAL SEE SPECIFICATIONS	ALL DIMENSIONS DISPLAYED ON THIS DRAWING ARE FOR REFERENCE ONLY	DRFT DJW DATE 04/16/07	DESCRIPTION FKFD 6/CS10085		
FINISH SEE SPECIFICATIONS	CONTACT TURCK FOR MORE INFORMATION	UNIT OF MEASUREMENT MILLIMETER [INCH] DO NOT SCALE THIS DRAWING		IDENTIFICATION NO. U0978-22	REV E
E DRAWING PROCESSED AS PART OF ECO 33971	CBM 04/07/11 33971	FILE: U0978-22 SHEET 1 OF 1			